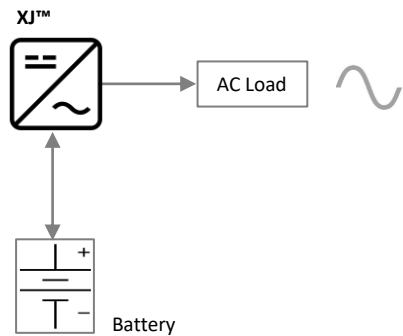


# Product line card

## **XJ™, XJTS™ and XJC™ Series XUNZEL**

*Pure Sinewave inverters and inverter chargers  
Advanced High efficiency power converters*



XJ™ Series

# Product line card

## **XJ™, XJTS™ and XJC™ Series XUNZEL**

Pure Sinewave inverters and inverter chargers

Advanced High efficiency power converters



### XJ™ Series



**Pure sinewave inverter**  
from **400W up to 2000W | 12V and 24V**  
(400W, 500W, 600W, 1000W, 2000W)

Pure sinewave Inverter  
High efficiency. Get the maximum from your battery  
Very low self consumption  
With power save mode programmable. Easy to program  
With USB output 5V-2100mA  
Smart design. Reliable and safe.  
Lightweight and Robust design.  
High cycle Life time design  
E-mark approved and vibration resistant

### XJTS™ Series



Inverter + Transfer-switch

**Pure sinewave inverter with transfer-switch**  
**3000W | 12V and 24V**

Inverter with transfer-switch integrated (back-up)  
High efficiency. Get the maximum from your battery  
Very low self consumption  
With power save mode programmable. Easy to program  
With USB output 5V-2100mA  
Smart design. Reliable and safe.  
Lightweight and Robust design.  
High cycle Life time design  
E-mark approved and vibration resistant

### XJC™ Series



Inverter + Charger + Transfer-switch

**Pure sinewave inverter with charger and transfer-switch**  
**1000W-40A and 2000W -55A**

Inverter with Charger (COMBI) and transfer-switch integrated (back-up)  
High efficiency. Get the maximum from your battery  
Very low self consumption  
With power save mode programmable. Easy to program  
With USB output 5V-2100mA  
Smart design. Reliable and safe.  
Lightweight and Robust design.  
High cycle Life time design  
E-mark approved and vibration resistant