

SOLARMOUNTING-XUNZEL – Universal mounting systems for photovoltaic solar technology



SOLSTAND™
Ground mounted
and Flat floors



SELFSTAND™
Self-standing



SOLTILE™
Roofs



SOLSTANDWALL™
Walls



SOLPOLE™
Poles

Solar mounting systems- XUNZEL

Pre-assembled universal mounting systems for photovoltaic solar panels.
Easy and fast assembly.

A wide range of mounting systems and accessories covering a variety of roofs, floors, walls or posts. Systems for floor, flat roof, tile, slate, flat roof, corrugated cement, sheet metal, wall or post of any shape.

Aerodynamically optimized and high quality and robust materials.

Designed to make Safe installations, with Great Mechanical Stability and Reliability.

All fixing systems are calculated and approved for structural resistance and mechanical operation.

Manufactured in High Quality and Excellent Rigidity Cold Formed Anodized Aluminum (EN AW-6063 T66) and Stainless-Steel Screws (1.4301) A2-70.



Superior Safety

- Quick and easy to assemble
- Excellent Results
- No Maintenance
- Very Light
- Environmentally friendly

Series

SOLSTAND™ Series	Ground mounted, Flat floors and roofs
SELFSTAND™ Series	Self-standing. Flat roofs and ceilings without fasteners
SOLTILE™ Series	For all kind of roofs (tiles, corrugated, metal, ...)
SOLPOLE™ Series	Poles and columns (circular, trapezoidal,)
SOLSTANDWALL™ Series	Wall

Industry Leading Technology for Off-Grid, Off-Shore and Backup Power Applications



SOLSTAND™ Series-XUNZEL Mounting Systems for ground and flat floors



SOLSTAND-2GXL™

Solar mounting systems for ground and flat floors with tilt 25°- XUNZEL

Pre-mounted universal mounting systems at an angle of 25° for photovoltaic solar panels. Easy and quick to assemble.

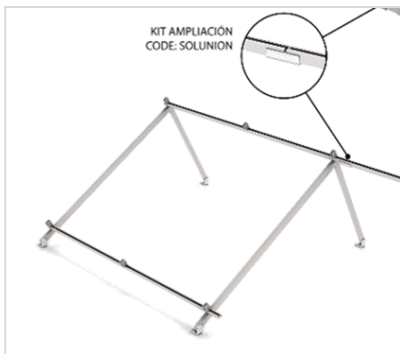
Aerodynamically optimized and high quality and robust materials. Designed to make safe installations, with great mechanical stability and reliability. All fixing systems are calculated and approved for structural resistance and mechanical operation.

Manufactured in High Quality and Excellent Rigidity Cold Formed Aluminum (EN AW-6063 T66) and Stainless-Steel Screws (1.4301) A2-70.

Models

- **SOLSTAND2P** – System Set for 2 solar panels SOLARPOWER-120
- **SOLSTAND2G** – System Set for 2 solar panels SOLARPOWER-185 / 190
- **SOLSTAND2GXXL** – System Set for 2 solar panels SOLARPOWER-ON-PERC-425 30mm
- **SOLSTAND3GXXL** – System Set for 3 solar panels SOLARPOWER-ON-PERC-425 30mm

SOLUTION12™

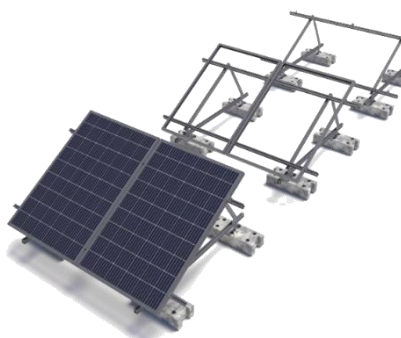


- **SOLSTAND4GXXL** – System Set for 4 solar panels SOLARPOWER-ON-PERC-425 30mm
- **SOLSTAND6GXXL** – System Set for 6 solar panels SOLARPOWER-ON-PERC-425 30mm
- **SOLSTAND8GXXL** – System Set for 8 solar panels SOLARPOWER-ON-PERC-425 30mm
- **SOLSTAND9GXXL** – System Set for 9 solar panels SOLARPOWER-ON-PERC-425 30mm
- **SOLSTAND10GXXL** – System Set for 10 solar panels SOLARPOWER-ON-PERC-425 30mm
- **SOLSTAND12GXXL** – System Set for 12 solar panels SOLARPOWER-ON-PERC-425 30mm
- **SOLSTAND14GXXL** – System Set for 14 solar panels SOLARPOWER-ON-PERC-425 30mm
- **SOLSTAND16GXXL** – System Set for 16 solar panels SOLARPOWER-ON-PERC-425 30mm
- **SOLSTAND28GXXL** – System Set for 28 solar panels SOLARPOWER-ON-PERC-425 30mm
- **SOLSTAND32GXXL** – System Set for 32 solar panels SOLARPOWER-ON-PERC-425 30mm
- **SOLSTAND56GXXL** – System Set for 56 solar panels SOLARPOWER-ON-PERC-425 30mm

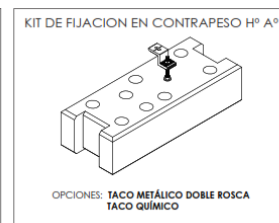
Easy to expand with **SOLUTION12 Kit**

Other mounting accessories

- **SOLUTION12** – Expansion Kit
- Sheet metal deck fastening KIT
- Counterweight fixing kit
- Trimmer Attachment KIT



SOLSTAND™
Counterweight fixing



Industry Leading Technology for Off-Grid, Off-Shore and Backup Power Applications



SELFSTAND™ Series-XUNZEL - Self-standing 15°. Flat roofs and ceilings without fasteners

Self-standing Solar mounting systems for ground and flat floors with tilt 15° - XUNZEL

Pre-assembled 15° self-supporting universal mounting systems for photovoltaic solar panels.

Ideal for low load bearing roofs. No need to fix to the surface. Easy and quick to assemble. Non-slip EPDM base included. With counterweight (paving stone not included)

Aerodynamically optimized and high quality and robust materials. Designed to make safe installations, with great mechanical stability and reliability.

All fixing systems are calculated and approved for structural resistance and mechanical operation.

Manufactured in High Quality and Excellent Rigidity Cold Formed Aluminum (EN AW-6063 T66) and Stainless-Steel Screws (1.4301) A2-70.

Modelos

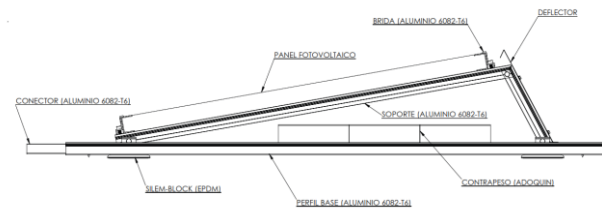
System Set for 1 solar panel SOLARPOWER-ON-PERC-425 30mm

- **SELFSTAND2XXL** – System Set for 2 solar panels SOLARPOWER-ON-PERC-425 30mm
- **SELFSTAND3XXL** – System Set for 3 solar panels SOLARPOWER-ON-PERC-425 30mm
- **SELFSTAND4XXL** – System Set for 4 solar panels SOLARPOWER-ON-PERC-425 30mm
- **SELFSTAND6XXL** – System Set for 6 solar panels SOLARPOWER-ON-PERC-425 30mm
- **SELFSTAND8XXL** – System Set for 8 solar panels SOLARPOWER-ON-PERC-425 30mm
- **SELFSTAND9XXL** – System Set for 9 solar panels SOLARPOWER-ON-PERC-425 30mm
- **SELFSTAND10XXL** – System Set for 10 solar panels SOLARPOWER-ON-PERC-425 30mm
- **SELFSTAND12XXL** – System Set for 12 solar panels SOLARPOWER-ON-PERC-425 30mm
- **SELFSTAND14XXL** – System Set for 14 solar panels SOLARPOWER-ON-PERC-425 30mm
- **SELFSTAND16XXL** – System Set for 16 solar panels SOLARPOWER-ON-PERC-425 30mm

- **SELFSTAND28XXL** – System Set for 28 solar panels SOLARPOWER-ON-PERC-425 30mm
- **SELFSTAND32XXL** – System Set for 32 solar panels SOLARPOWER-ON-PERC-425 30mm
- **SELFSTAND56XXL** – System Set for 56 solar panels SOLARPOWER-ON-PERC-425 30mm

Other configurations are available.
SELFSTAND is available in the East-West configuration.

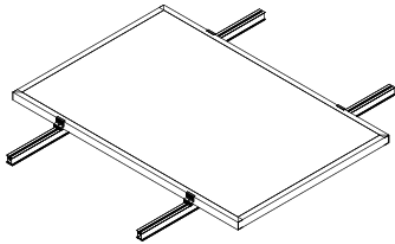
SELFSTAND™



SOLTILE™ Series-XUNZEL - Mounting Systems for roofs



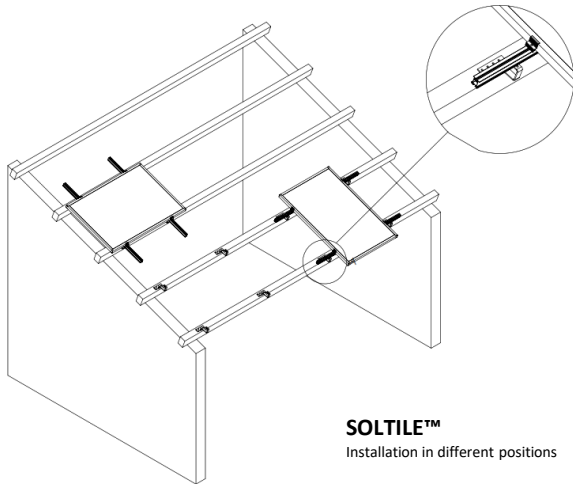
SOLTILE™



SOLTILE™



SOLTILEFIXM10
Pack 4 units included
With EPDM seal



SOLTILE™
Installation in different positions

Mounting Systems for roofs - XUNZEL

Universal pre-assembled assembly systems for all types of roofs for photovoltaic solar panels Easy and fast assembly.

For all types of roofs: cimacio or flamenco tile, flat tile, slate tile, Coppo, concrete, sheet metal, corrugated, fretted,....

Including SOLTILEFIXM10 fixing kit with EPDM seal..

Aerodynamically optimized and high quality and robust materials. Designed to make safe installations, with great mechanical stability and reliability.

All the fixing systems are calculated and approved for structural resistance and mechanical operation.

Manufactured in High Quality and Excellent Rigidity Cold Formed Aluminum (EN AW-6063 T66) and Stainless-Steel Screws (1.4301) A2-70.

Models

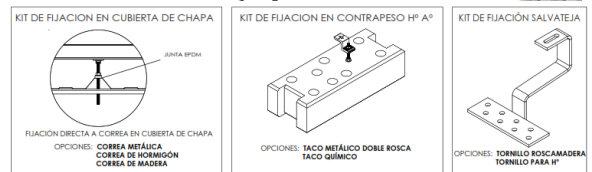
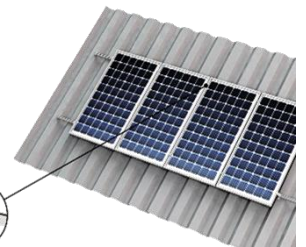
- **SOLTILE 1L-A** – System Set for 1 solar panel SOLARPOWER-60
- **SOLTILE 1L-B** – System Set for 1 solar panel SOLARPOWER-80/120

- **SOLTILE 1XL** – System Set for 1 solar panel SOLARPOWER-185/300/380
- **SOLTILE 2XL** – System Set for 2 solar panel SOLARPOWER-185/300/380
- **SOLTILE 3XL** – System Set for 3 solar panel SOLARPOWER-185/300/380
- **SOLTILE 4XL** – System Set for 4 solar panel SOLARPOWER-185/300/380
- **SOLTILE 6XL** – System Set for 6 solar panel SOLARPOWER-185/300/380
- **SOLTILE 8XL** – System Set for 8 solar panel SOLARPOWER-185/300/380
- **SOLTILE 9XL** – System Set for 9 solar panel SOLARPOWER-185/300/380
- **SOLTILE 10XL** – System Set for 10 solar panel SOLARPOWER-185/300/380
- **SOLTILE 12XL** – System Set for 12 solar panel SOLARPOWER-185/300/380
- **SOLTILE 14XL** – System Set for 14 solar panel SOLARPOWER-185/300/380
- **SOLTILE 16XL** – System Set for 16 solar panel SOLARPOWER-185/300/380
- **SOLTILE 28XL** – System Set for 28 solar panel SOLARPOWER-185/300/380
- **SOLTILE 32XL** – System Set for 32 solar panel SOLARPOWER-185/300/380
- **SOLTILE 56XL** – System Set for 56 solar panel SOLARPOWER-185/300/380

Easy to expand with **SOLUTION12 Kit**

Mounting Accesories

- **SOLUTION12** - Extension Kit
- **SOLTILEFIXM10** - Kit for fixing to the roof
- Sheet metal deck fastening KIT
- Counterweight fixing kit
- Trimmer Attachment KIT



SOLPOLEWALL™ Series-XUNZEL – Mounting Systems for pole and/or wall – All-in-One



SOLPOLEWALL™ L



SOLPOLEWALL™ M



SOLPOLE-XL™



SOLPOLEWALL™ L

All-in-one pole and/or wall mounting system with adjustable inclination - XUNZEL

Universal pre-assembled mounting systems with adjustable inclination (35-45-50°) for photovoltaic solar panels. Easy and quick to assemble.

Aerodynamically optimized and high quality and robust materials. Designed to make Safe installations, with Great Mechanical Stability and Reliability.

All the fixing systems are calculated and approved for structural resistance and mechanical operation.

Manufactured in High Quality and Excellent Rigidity Cold Formed Aluminum (EN AW-6063 T66) and Sheet Metal with Stainless Steel Screws (1.4301) A2-70.

Models

Pole and/or wall brackets - all in one for small panels

SOLPOLEWALL -M - Support set for 1 SOLARPOWER-5 panel up to 30

SOLPOLEWALL -L - Support set for 1 panel SOLARPOWER-60/80/120

SOLPOLEWALL -M3024 - Support set for 1 panel SOLARPOWER-30W-24V

Post brackets for large panels:

SOLPOLE -XL V1 - Support set for 1 panel SOLARPOWER-185/300

SOLPOLE -XL V2 - Support set for 1 panel SOLARPOWER-380

Mounting Accesories

- **RING100 / 150 / 200** - Pack of 4 brackets for pole mounting (∅ 100/150/200mm) for SOLPOLE-XL

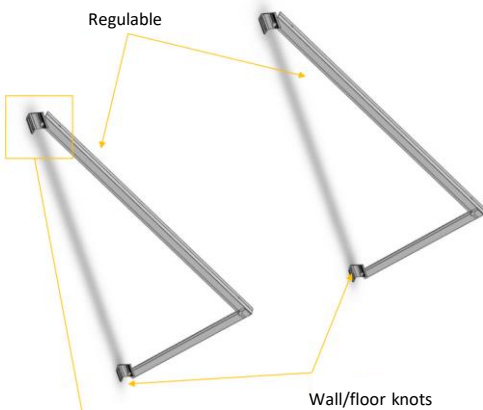
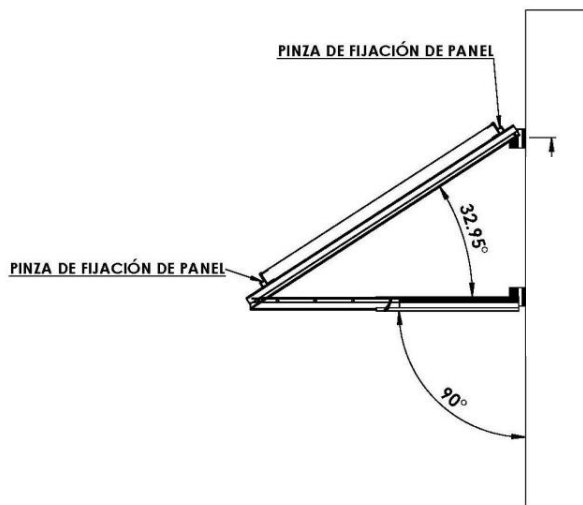
Industry Leading Technology for Off-Grid, Off-Shore and Backup Power Applications



SOLSTANDWALL™ Series-XUNZEL – Mounting System for walls and flat surfaces



SOLSTANDWALL™



Mounting system with adjustable tilt 35°-51° for wall and floor - XUNZEL

Universal pre-mounted wall/floor mounting systems with adjustable inclination (35-45-50°) for photovoltaic solar panels.
Easy and quick to assemble.

Aerodynamically optimized and high quality and robust materials.

Designed to make Safe installations, with Great Mechanical Stability and Reliability.

All the fixing systems are calculated and approved for structural resistance and mechanical operation.

Manufactured in High Quality and Excellent Rigidity Cold Formed Aluminum (EN AW-6063 T66) and Stainless-Steel Screws (1.4301) A2-70.

Models

- **SOLSTANDWALL -A** - 1-panel SOLARPOWER-60 support set
- **SOLSTANDWALL -B** - 1 Panel Stand Set SOLARPOWER-80/120
- **SOLSTANDWALL -XL** - 1 Panel Stand Set SOLARPOWER-185/300/380