



xunzel™

PRODUCT  
NOTE

applied Solar and Wind Energy™

# SOLARPOWER-HD™ Series



SOLARPOWER-HD™ Series

## SOLARPOWER-HD™ Series - XUNZEL XUNZEL Very High-Efficiency Solar PV Panels Ultra-Thin, Light and Flexible

### Product Overview

- Ultra-Thin (3mm), Lightweight and Flexible
- Easy-to-install. Ready-to-connect. Stainless Steel Rings (Ø10 mm)
- Secure and easy wiring. Includes 3 meters pre-assembled 2-core single solar cable
- Completely Waterproof and Weatherproof junction box (IP65)
- High-Efficiency All-Back Contact Patented Monocrystalline (mc-Si) Silicon Solar Photovoltaic (PV) Cells
- Specially designed for 12V Off-Grid & Off-Shore Battery Charging Systems. Easy to connect in series for 24V and 48V systems
- Higher power systems can be achieved easily connecting more strings in parallel (for more current) or series (for more voltage)
- New Design. All-Black Module
- Front-side junction box for a perfect assembly in flat surfaces
- High-performance and very reliable
- High Quality. 100% Flash and Electroluminescence-EL Tested
- With marine grade durability
- Ideal for marine, caravan, trucks, etc.

### Available Models

- SOLARPOWER-HD 20W 12V
- SOLARPOWER-HD 50W 12V
- SOLARPOWER-HD 100W 12V



SOLAR  
PANEL

SOLAR CHARGE  
CONTROLLER\*

SOLAR  
BATTERY\*

\*Not included

More Power



High Efficiency  
Solar Cells

Ready-to-connect  
Easy-to-install



Stainless Steel Rings  
Ø10 mm

Front-side IP65 Junction box



Pre-assembled Solar  
Cable Included (3m)

The design and all photographs and pictures of these product notes are protected by the Law and they cannot be distributed nor reproduced, neither totally nor partially, neither published nor used for any purpose without the express written consent of XUNZEL. © 2016-2017 XUNZEL - Xunzel does not take responsibility for typographical errors



Industry Leading Technology for Off-Grid, Off-Shore and Backup Power Applications



info@xunzel.com  
www.xunzel.com



# SOLARPOWER-HD™ Series

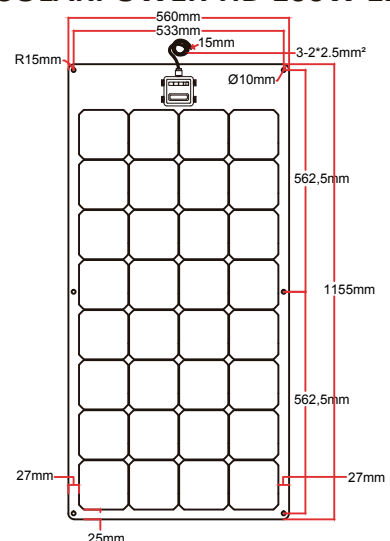
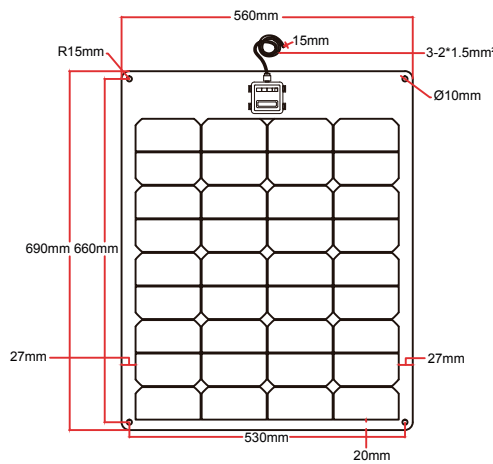
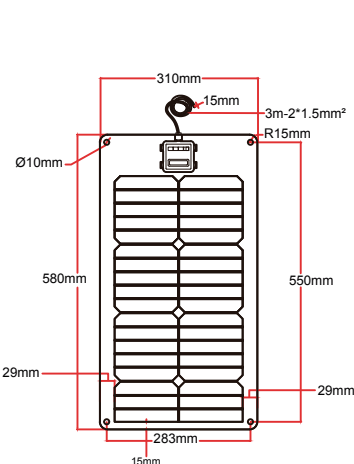
## Specifications

Model	SOLARPOWER-HD 20W 12V	SOLARPOWER-HD 50W 12V	SOLARPOWER-HD 100W 12V
Electrical data – Specifications at Standard Test Conditions (STC): 1000W/m <sup>2</sup> solar irradiance, AM 1.5, 25°C cell temperature			
Maximum Power P <sub>max</sub>	20W	50W	100W
Nominal voltage	12V		
Open Circuit voltage V <sub>oc</sub>	20,8V		
Maximum Power Point Voltage V <sub>mpp</sub>	17,6V		
Short Circuit Current I <sub>sc</sub>	1,23A	3,07A	6,14A
Maximum Power Point Current I <sub>mpp</sub>	1,14A	2,84A	5,68A
Maximum System Voltage SCII	600VDC		
Cells	Hi-Efficiency All-back contact Monocrystalline Silicon		
	36 pcs		32 pcs
Dimensions [mm]	580 x 310 x 3	690 x 560 x 3	1155 x 560 x 3
Net Weight [kg]	0,6	1,2	2,5
Preassembled Solar Cable	2-core solar cable (3m) - Pre-cut 15mm		
	2 x 1,5mm <sup>2</sup>		2 x 2,5mm <sup>2</sup>
Grommets	Stainless Steel Rings. Inner diameter 10mm		
Backsheet	All-black		
Junction Box	IP65, Front-side		
Bypass Diode	1pcs		2pcs
Operating Temperature	-40°C a +85°C		

SOLARPOWER-HD 20W 12V

SOLARPOWER-HD 50W 12V

SOLARPOWER-HD 100W 12V



The design and all photographs and pictures of these product notes are protected by the Law and they cannot be distributed nor reproduced, neither totally nor partially, neither published nor used for any purpose without the express written consent of XUNZEL. © 2016-2017 XUNZEL - Xunzel does not take responsibility for typographical errors.

XU-1404216-GAH

Industry Leading Technology for Off-Grid, Off-Shore and Backup Power Applications



info@xunzel.com  
www.xunzel.com